



Tanco Autowrap 280  
Spare parts list



280ARC  
PARTS LIST  
WD66-280-M0106



## **SPARE PARTS LIST**

***We recommend that when you need spare parts, you should use only original parts.***

When ordering spare Parts use the following:

- Drawings are marked with a position number.
- On the accompanying table you will find the position number, its equivalent part number and description. The entire part number and description must always be relayed on ordering.
- **IMPORTANT!**  
When ordering always give the serial number on the wrapping machine and specify the Model of Machine.
- We ask that you fax your parts order to your Tanco dealer, to ensure quick delivery



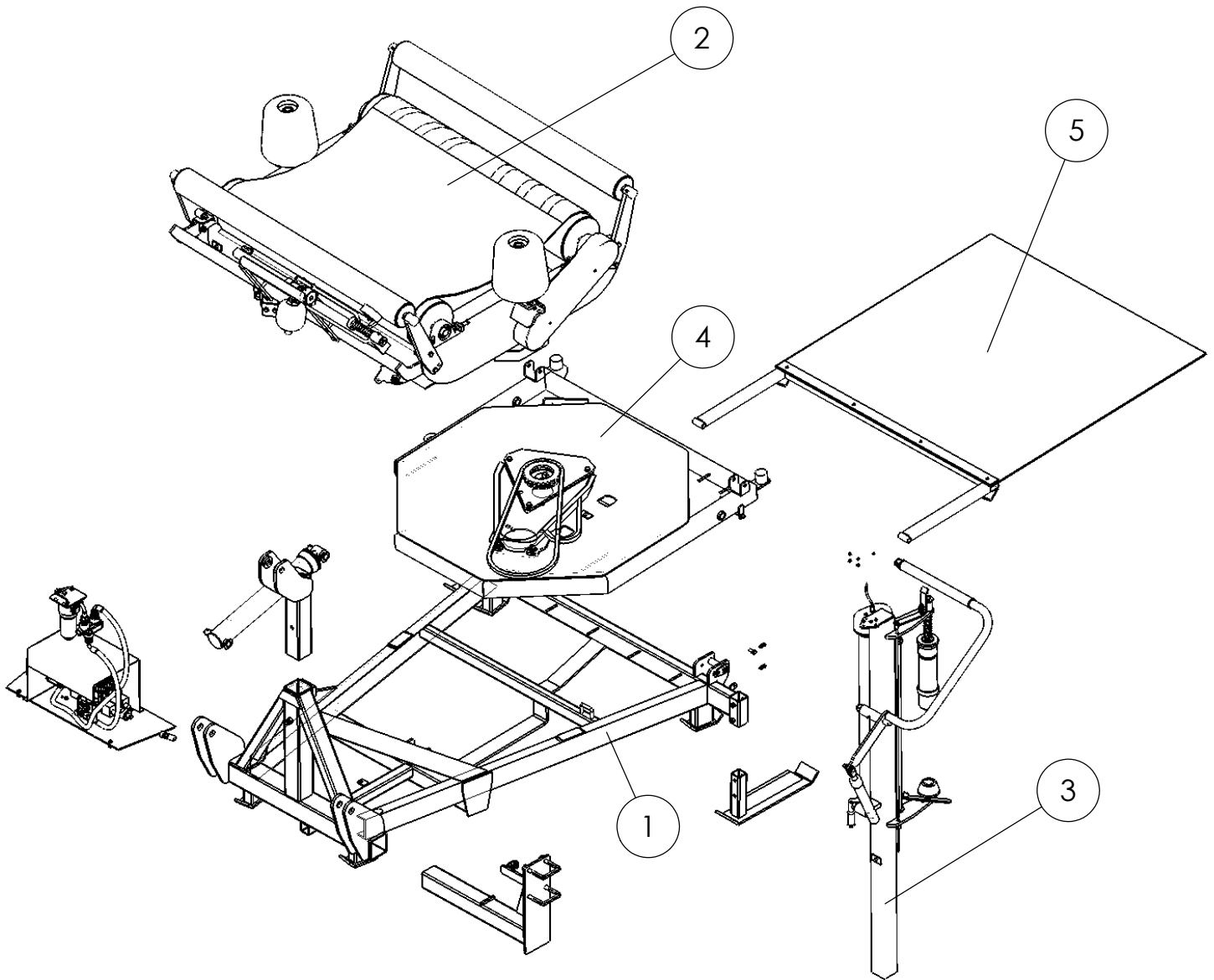
## TABLE OF CONTENTS

	<u>Page:</u>
<b>1. Main Assembly</b>	
1.1. 280ARC Assembly Exploded View	5
<b>2. Main Assembly</b>	
2.1 Chassis Exploded View	6
2.1 Chassis parts List	7
<b>3. Tipping Frame</b>	
3.1 Tipping Fame Exploded View	8
3.2 Tipping Frame parts List	9
<b>4. Turntable Assembly</b>	
4.1 Turntable Exploded view	10
4.2 Turntable parts list	11
4.3 Drop mat	12
4.4 Lighting kit	13
4.5 Cut and start Exploded View	14
4.6 Cut and start Parts List	15
<b>5. Film Dispenser</b>	
5.1. Dispenser Mast Assembly Exploded View	16
5.2 Parts List	17
5.3 Dispenser Insert Assembly Exploded View	18
5.4 Parts List	19
4.6 Turntable locking mechanism	20
<b>6. Controller</b>	
6.1 Sensors and Mounting Brackets Exploded View and Parts List	21
6.2 280 ARC Controller Exploded View and Parts List	22
6.3 280 ARC junction Box	23
<b>7. Hydraulic valve</b>	
7.1 Hydraulic valve Exploded view	24
7.2 Hydraulic valve parts list	25
<b>8. Hydraulic Components</b>	
8.1 280 Hydraulic Components Explosion View	26
8.2 280 Hydraulic Components part list	27



Tanco Autowrap 280  
Spare parts list

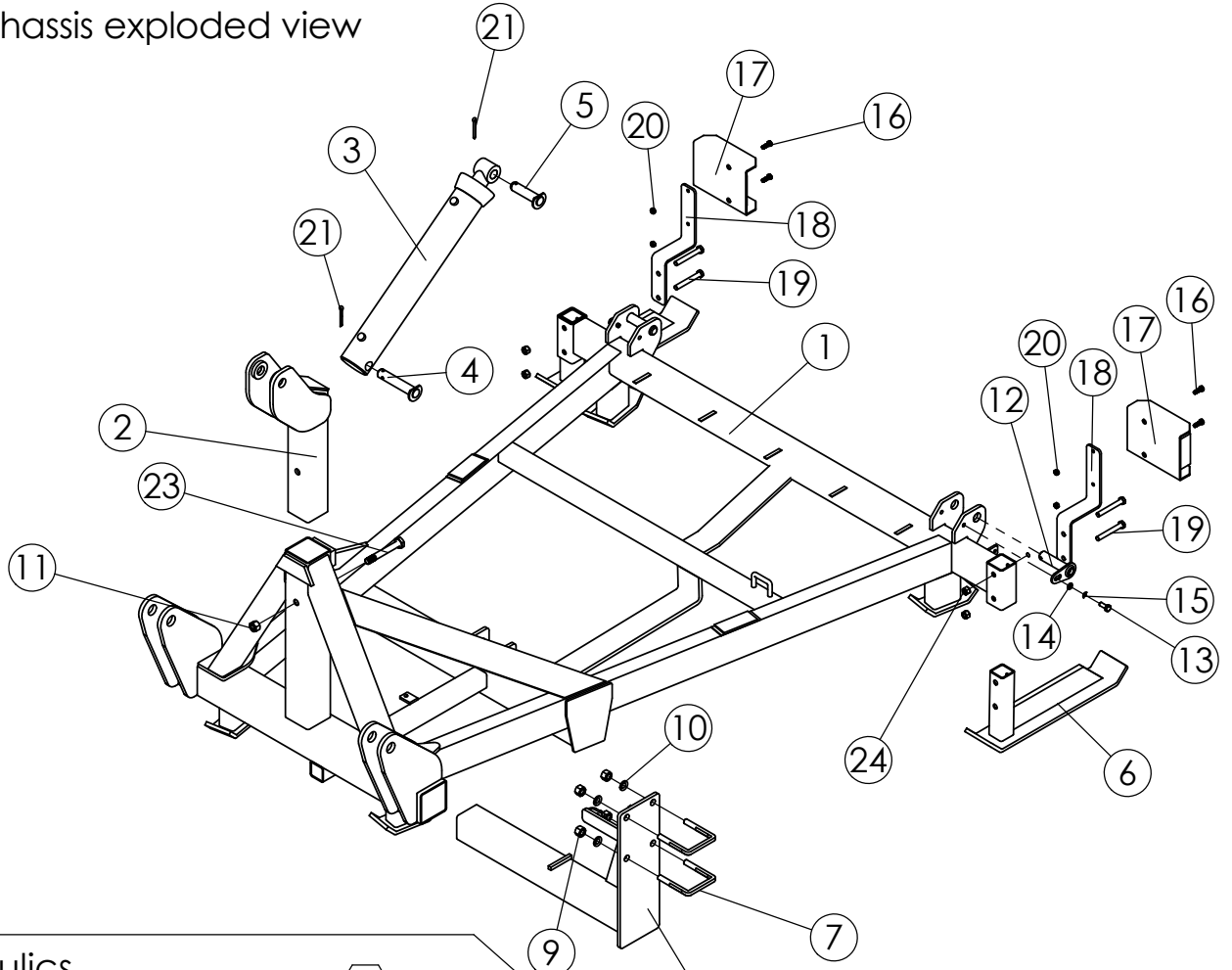
1-1. 280 assembly.



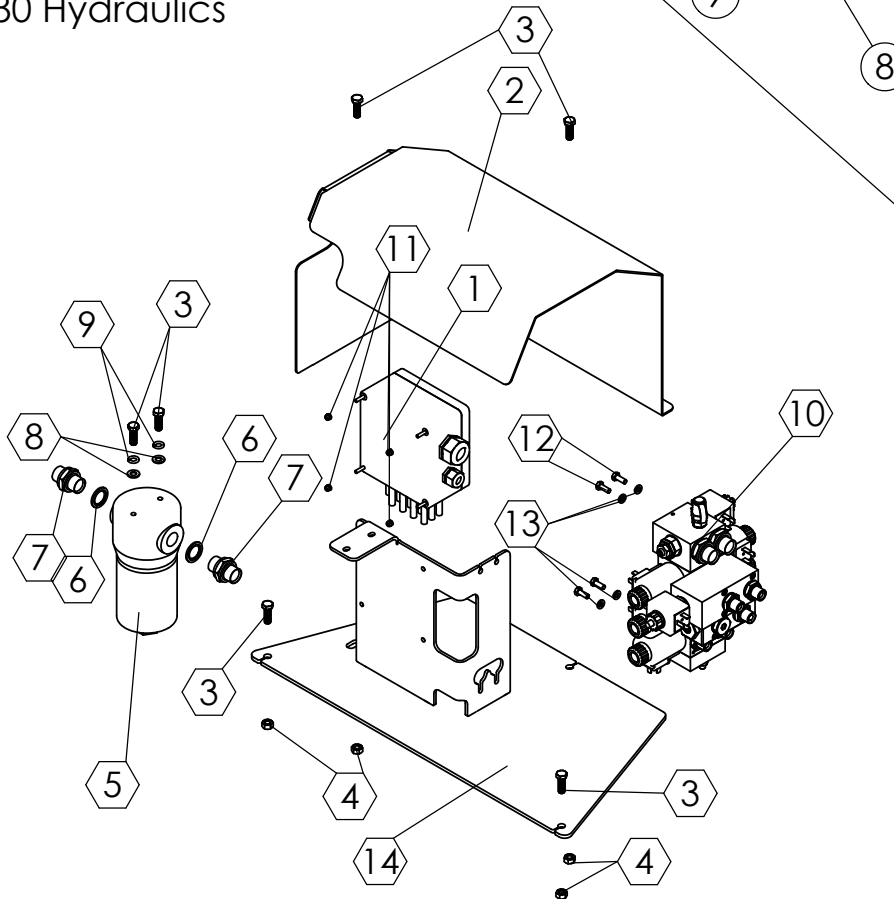
280 ARC

ITEM NO.	PartNo	DESCRIPTION	QTY.
1	See section 2.1	280 Chassis	1
2	See section 4.1	Complete Turntable	1
3	See section 5.1	Film Dispenser	1
4	See section 3.1	Tipping frame complete	1
5	WD63-MMF	Drop mat mount	1

## 2-1 280 Chassis exploded view



## 280 Hydraulics





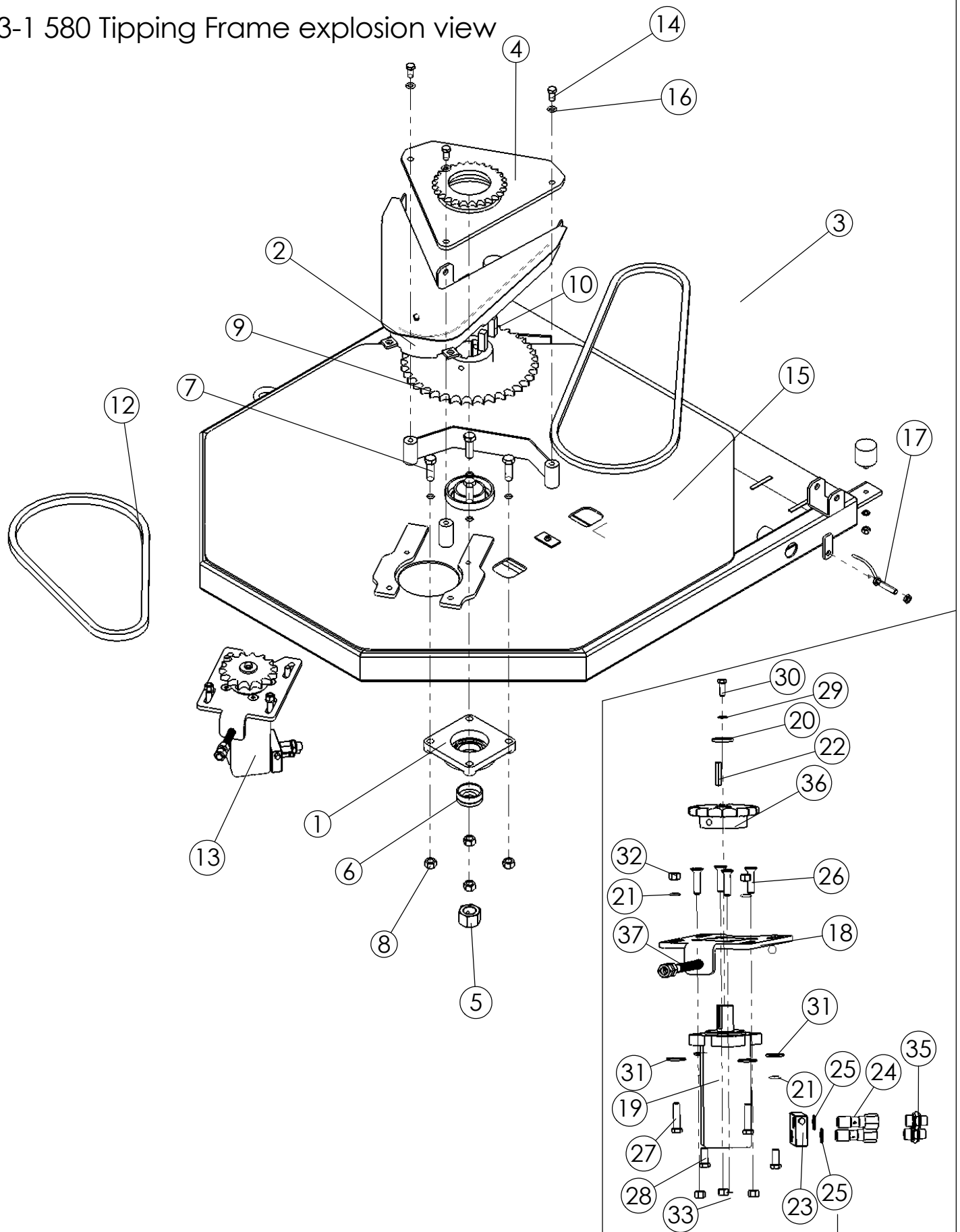
2-2 280 Chassis parts list.

ITEM NO.	PartNo	DESCRIPTION	QTY.
1	WD63-MF1	280 Chassis	1
2	WD610-TLB2	280 Top Link Brkt	1
3	Z01-01-AR687	Tip Cylinder	1
4	Z03-02-330	Ram Bottom Pivot Pin	1
5	Z03-03-50	Ram Top Pivot Pin	1
6	WD63-SLA	Stabilising Leg Assy.l	2
7	Z35-52	"U" Bolt (M.16)	2
8	WD63-DMM 2	280 Mast mounting	1
9	Z18-16	M16 Hex Nut	4
10	Z12-02-16	16mm Spring Washer	4
11	Z23-16	M16 Locknut	1
12	Z03--01-905	Tipping Frame Pivot Pin c/w	2
13	Z26-0611S	M10 x 25 Hex Set	2
14	Z11-02-10	10mm Flat Washer	2
15	Z12-02-10	10mm Spring Washer	2
16	Z26-040S	M8 x 25 Hex Set	4
17	Z01-30LP	Light Cluster	2
18	WD60-899	Light Mounting Bracket	2
19	Z26-091B	M12 x 90 Hex Bolt	4
20	Z23-08	M8 Locknut	4
21	Z03-21-29	2" x 1/4" Split Pin	2
22		280Hydraulics	1
23	Z26-134B	M16 x 120 Hex Bolt	1
24	Z23-12	M12 Locknut	4

280 Hydraulics

ITEM NO.	PartNo	DESCRIPTION	QTY.
1	1009001	RDS Junction Box	1
2	1101900	280 Valve Cover	1
3	Z26-040S	M8 x 25 Hex Set	6
4	Z23-08	M8 Locknut	4
5	Z01-24-08	Filter	1
6	Z01-04-03	1/2" BSP Dowty Washer	2
7	Z01-06-08-08	1/2" x 1/2" Adaptor	2
8	Z10-02-08	Washer M8	2
9	Z12-02-08	M8 Spring Washer	2
10	1108000	280 Control Valve	1
11	Z23-04	M4 Locknut	4
12	Z26-019S	Bolt M6 x 16	4
13	Z12-02-06	M6 Spring Washer	4
14	1101010	280 valve mount	1

## 3-1 580 Tipping Frame explosion view





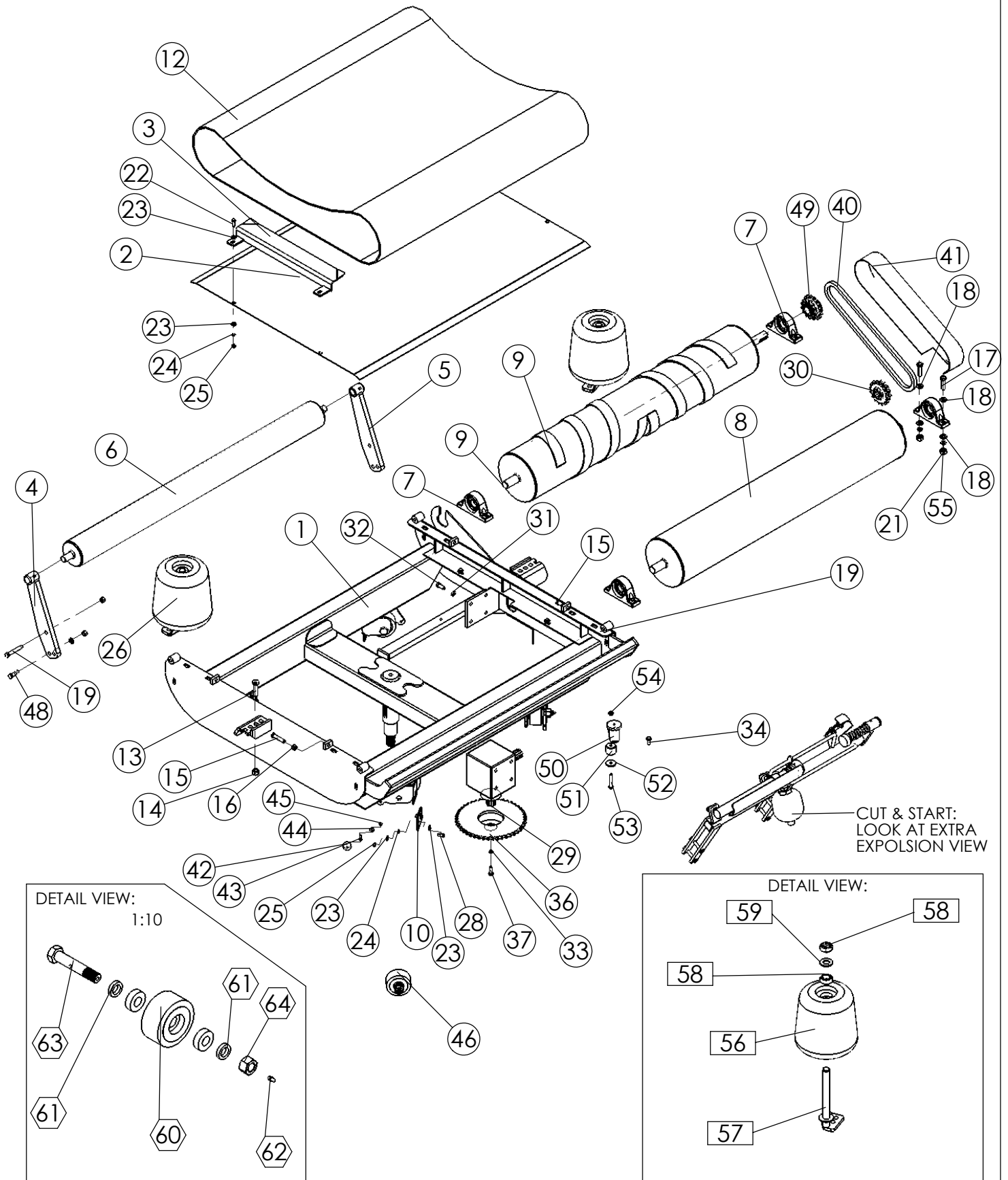


### 3-2 Tipping Frame Part list.

ITEM NO.	PartNo	DESCRIPTION	QTY.
1	Z06-49EC	2" Flange Bearing c/w Cam Lock Collar	1
2	WD66-DCG	Drive Chain Guard	1
3	Z09-AW-56	Chain 3/4" Pitch x 100 Pitches (inc. Joiner)	1
4	WD64-CSA	Centre Sprocket Assembly 27 Tooth	1
5	WD64-054	1 1/4" UNC Nut	1
6	WD67-SS	Spindle Spacer	1
7	Z31B-064	5/8" x 2" Long UNF Hex Set	4
8	Z20-10	5/8" UNF Locknut	4
9	ZO6-D64-38	1" 38 T Center Sprocket	1
10	WD64-052	Key, 5/8" Sq. x 50mm Long	2
11	WD64-040	Spindle Spacer	1
12	Z09-AW6	Chain 1" Pitch x 54 Pitches	1
13		Motor Drive Assy	1
14	Z26-084S	M12 x 40 Hex Set	3
15	WD67-TF	Tipping Frame Assembly	1
16	Z12-02-12	12mm Spring Washer	3
17	1309202	Sensor	1

Motor Assembly			
ITEM NO.	PartNo	DESCRIPTION	QTY.
18	WD64-001	Hydraulic Motor Mounting Plate	1
19	Z01-02-RF200	Hydraulic Motor	1
20	WD623-071	Retaining Collar	1
21	Z12-02-12	12mm Spring Washer	4
22	WD66-053	Key Steel	1
23	Z01-03-004	Cross line Relief Valve	1
24	Z01-03-002B	1/2" BSP Bottom Banjo Bolt	2
25	Z01-04-03	1/2" BSP Dowty Washer	4
26	Z13-5-12 x 50	M12 x 50mm Allen Hd. Csk. Set	4
27	Z26-086S	M12 x 50 Hex Set	2
28	Z26-082S	M12 Hex HD Set x 30mm Long	2
29	Z12-02-10	10mm Spring Washer	1
30	Z27-023S	3/8" x 1" Long UNC Hex Set	1
31	Z11-02012	12mm Flat Washer	4
32	Z18-12	M 12 Hex Nut	2
33	Z23-12	M12 Locknut	4
34	Z18-16	M16 Hex Nut	4
35	Z01-06-06-08	1/2" x 3/8" Adaptor	2
36	Z06-160-046	part5	1
37	WD64-038	M16 Threaded Bar x 165 Long	1

### 4.1 Turntable exploded view





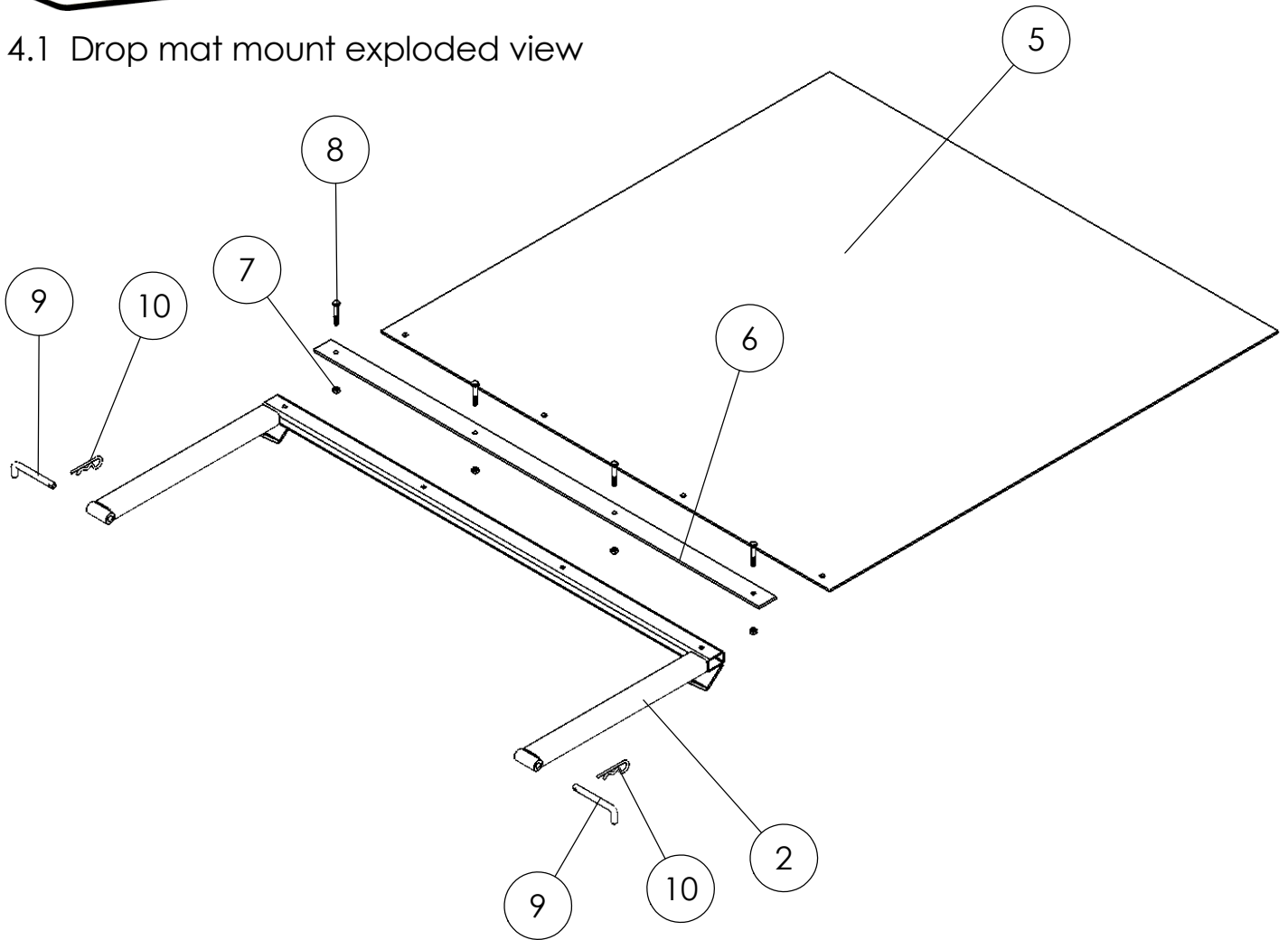
## 4.2 Turntable part list.

ITEM NO.	PartNo	DESCRIPTION	QTY.
1	WD67-TA	Turntable Welded Assembly	1
2	WD66-024	Turntable Cover Plate	1
3	WD66-BG	Belt Guide Assembly	2
4	WD66-RMB2	Roller Mounting Bracket	2
5	WD66-RMB1	Roller Mounting Bracket	2
6	WD66-SMR	4 " Roller assy	2
7	Z06-485	1 1/4" Pillow Block Bearing c/w Cam Lock	4
8	WD66-BRI	Idler Roller	1
9	WD66-BRD	Drive Roller	1
10	WD60-711	Rubber Scrapper	2
11	1203500	Cut and Start	1
12	Z05-0ZAW96	6mm Flat Belt 1200 Widex2475 Long	1
13	Z26-126S	M16 x 60 HEX SET	2
14	Z23-16	M16 Locknut	2
15	Z26-088S	M12x60 Hex Set	4
16	Z18-12	M 12 Hex Nut	4
17	Z26-104B	M 14x50 Hex Bolt	8
18	Z11-02-14	14mm Flat Washer	16
19	Z26-0901B	M12 x 80 Hex Bolt	4
20	Z23-12	M12 Locknut	8
21	Z18-14	M14 Hex Nut	8
22	Z26-041S	M8 x 30 Hex Set	4
23	Z11-02-081	8mm Mud Washer	16
24	Z12-02-08	8mm Spring Washer	8
25	Z18-08	M.8 Hex Nut	8
26	See Below	End Roller assy	2
27	Z10-02-12	M. 12 Flat Washer	4
28	Z26-039S	M.8 X 20 HEX SET	4
29	Z01-25-300	Gear Box	1
30	Z06-D65-1316 S	13/16 double simplex sprocket	1
31	Z12-02-12	12mm Spring Washer	4
32	Z26-082S	M12 Hex HD Set x 30mm Long	4
33	Z12-02-10	10mm Spring Washer	4
34	Z26-0611S	M10 x 25 Hex Set	1
35	WD67-127	Chain Stripper	1
36	Z06-D64-46S	46 tooth sprocket	1
37	Z26-062S	M10 Hex HD Set x 30mm Long	2
38	Z13-112	M10 Cup SQ. Screw x 30mm Long	1
39	Z18-10	M10-Hex Nut	1
40	Z09-AW-3	Chain 3/4 Pitch x 62 Pitches (inc. Joiner)	1
41	WD67-cgc	Chain cover	1
42	D6043	Magnet	2
43	Z13-132	M6 x 35 Csk. Hd. Set	2
44	Z11-02-06	6mm Mud Washer	2
45	Z23-06	M6 lock nut	2
46	Z06-466W-assy	4 " Wheel assy.	4
47	WD66-ERM	End Roller Mounting	1
48	Z26-084S	M12 x 40 Hex Set	4
49	Z06-D64-1316K	Sprocket Double Simplex 13T/16T Keyed	1
50	Z06-454	Rosta Tensioner	1
51	WD60-CT	Chain Tensioner	1
52	WD623-071	Retaining Collar	1
53	Z26-0671B	M 10 x 65 Hex. Bolt	1
54	Z23-10	M 10 Locknut	1
55	Z12-02-14	14mm Spring Washer	8
56	WD66-053	Key Steel	1

End Roller Sub-assembly			
ITEM NO.	PART NUMBER	DESCRIPTION	Default/QTY.
56	Z06-AWR	End Roller	1
57	Wd66-ERM	End Roller Mounting	1
58	Z06-AWRB93	bearing (6305 2RS)	2
59	WD60-292	Thrust Washer	1

4" Wheel sub-assembly			
ITEM NO.	PartNo	DESCRIPTION	Default/QTY.
60	Z06-466W	4 " wheel	1
61	WD67-101	Spacer	2
62	34061915	Grease Nipple	1
63	Z03-22-AW-AX	4 " wheel Axle	1
64	Z23-20	M16 hex nut	1

### 4.1 Drop mat mount exploded view

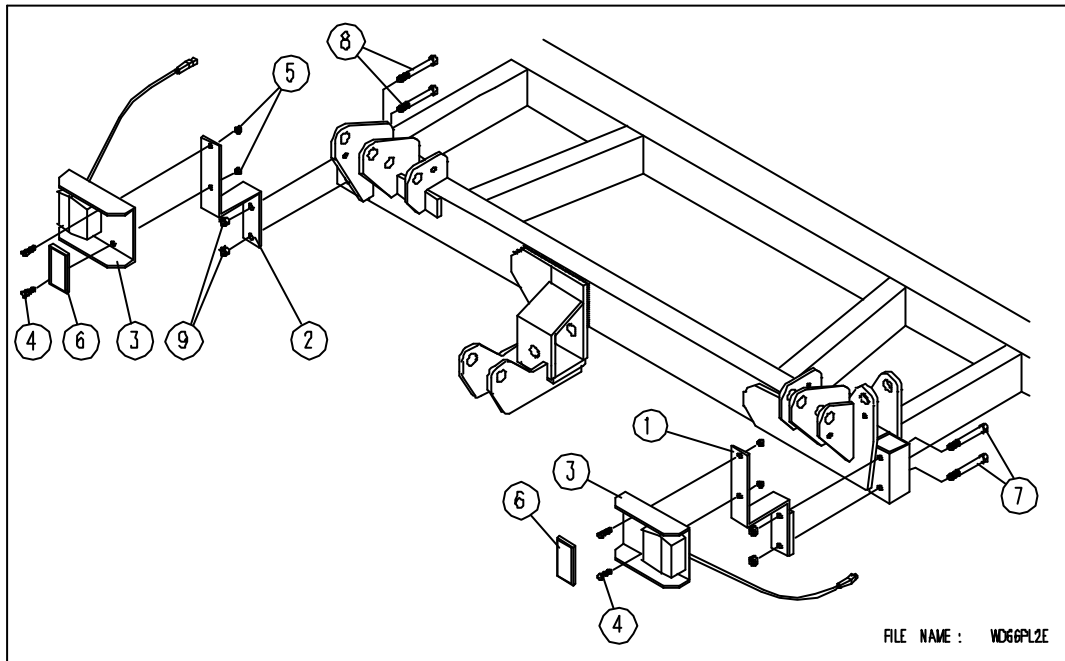


ITEM NO.	PartNo	DESCRIPTION	QTY.
1	WD60-828	50 x30 RHS	1
2	WD60-829	50 x30 RHS	2
3	WD60-375	25mm round	2
4	WD60-830	50 x 6 flat	2
5	Z05-02AM	280 Drop Mat	1
6	WD63-1300	Clamping Plate	1
7	Z23-08	M8 Locknut	4
8	Z26-045B	M8 x 50 Hex Bolt	4
9	WD60-874	Bissel Pin	2
10	Z36-02	R-Clip (4mm)	2

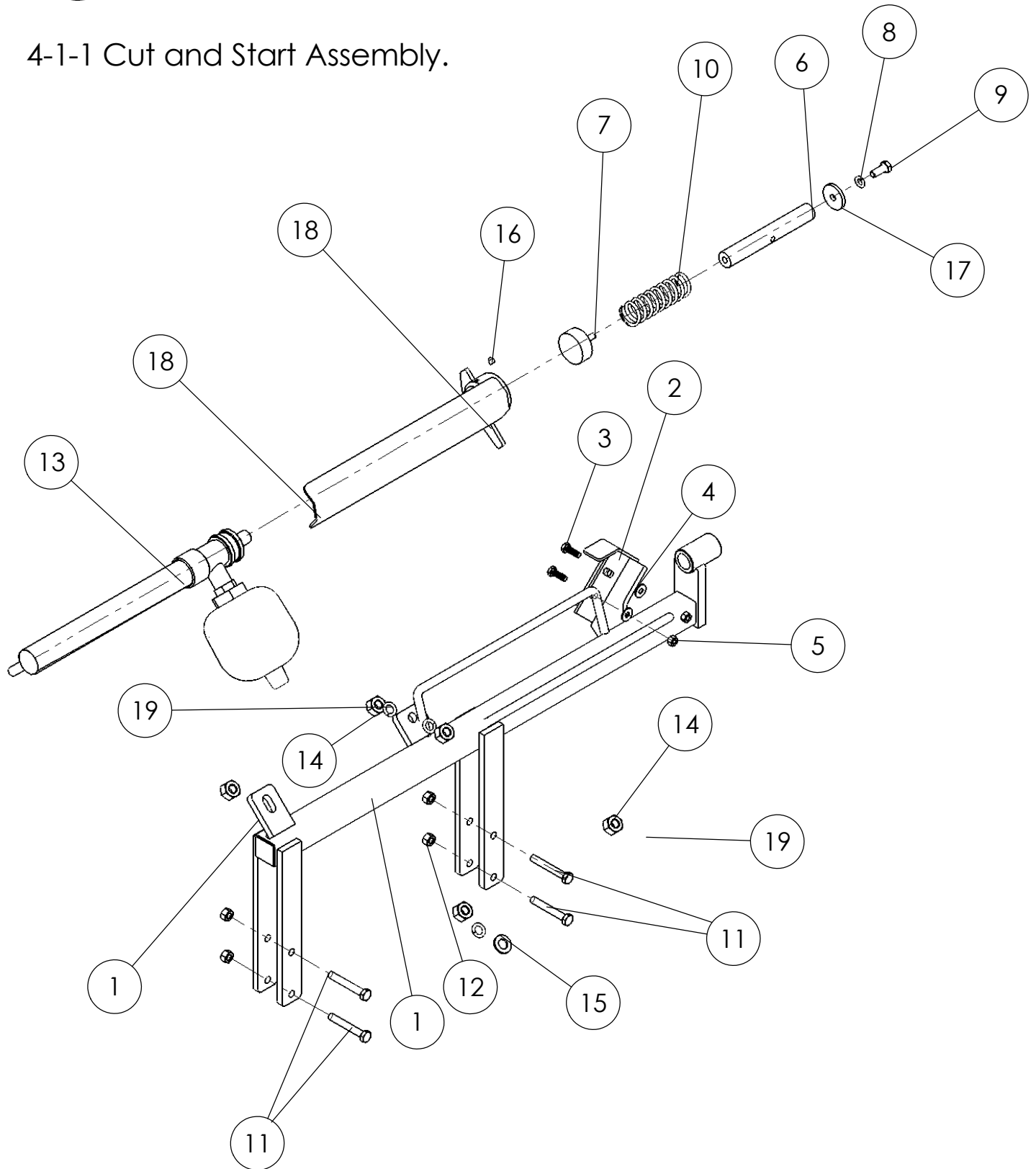


**4.1 LIGHTING KIT**

ITEM No.	DESCRIPTION	QTY	PART No.
	<b>Lighting Kit Complete</b>	<b>1</b>	<b>Z05-30</b>
1.	Light Mounting Bracket R.H.S.	1	WD60-LMB
2.	Light Mounting Bracket L.H.S.	1	WD60-899
3.	Light Cluster	2	Z01-30LP
4.	M8 x 25 Hex Set	4	Z26-040S
5.	M8 Locknut	4	Z23-08
6.	Reflector	2	Z04-621
7.	M12 x 100 Hex Bolt	2	Z26-092B
8.	M12 x 90 Hex Bolt	2	Z26-091B
9.	M12 Locknut	4	Z23-12



## 4-1-1 Cut and Start Assembly.

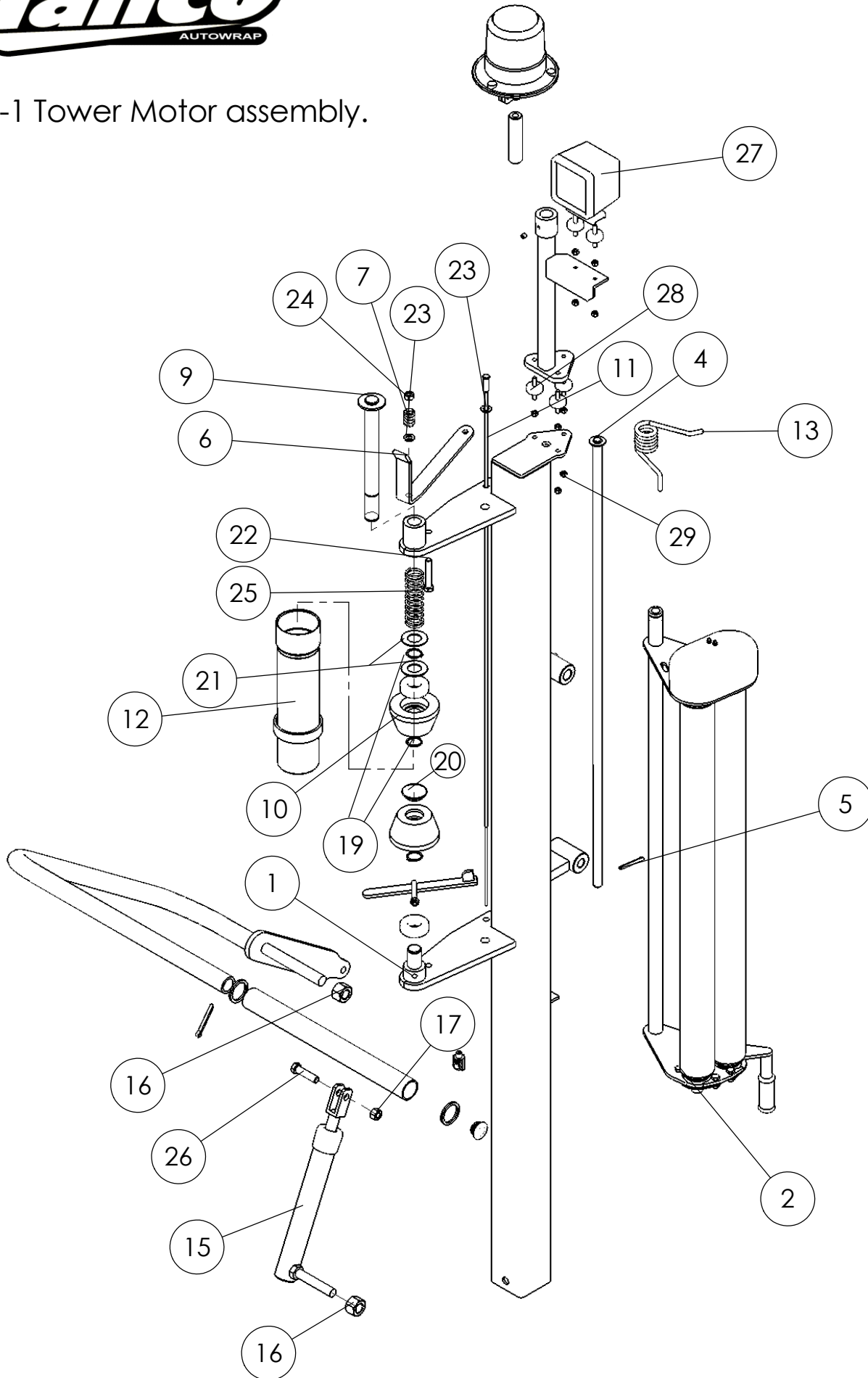




## 4-1-1 Cut and Start assembly.

ITEM NO.	PartNo	DESCRIPTION	QTY.
1	WD605H-MF	Cut & start frame	1
2	WD605-104	C & S Blade	1
3	Z26-040S	M8 x 25 Hex Set	2
4	Z11-02-081	8mm Mud Washer	2
5	Z23-08	M8 Lcoknut	2
6	WD605H-13	Plunger	1
7	Z40-28	Rubber Buffer	1
8	Z12-02-10	10mm Dia Spring Washer	1
9	Z26-0611S	M10x 25 Hex Set	1
10	Z07-49	Spring	1
11	Z26-069B	M10 x 75 Hex Bolt	4
12	Z23-010	M14 Hex Nut	4
13	Z01-01-AWH	Hydraulic ram assy.	1
14	Z18-14	M14 Hex Nut	5
15	Z11-02-14	14mm Flat Washer	1
16	Z28-008	M8 x 25 Hex Set	1
17	WD623-071	Retaining Collar	1
18	WD605H-15	C&S Cover Assy.	1
19	Z12-02-14	14mm Spring Washer	3

## 4-1-1 Tower Motor assembly.



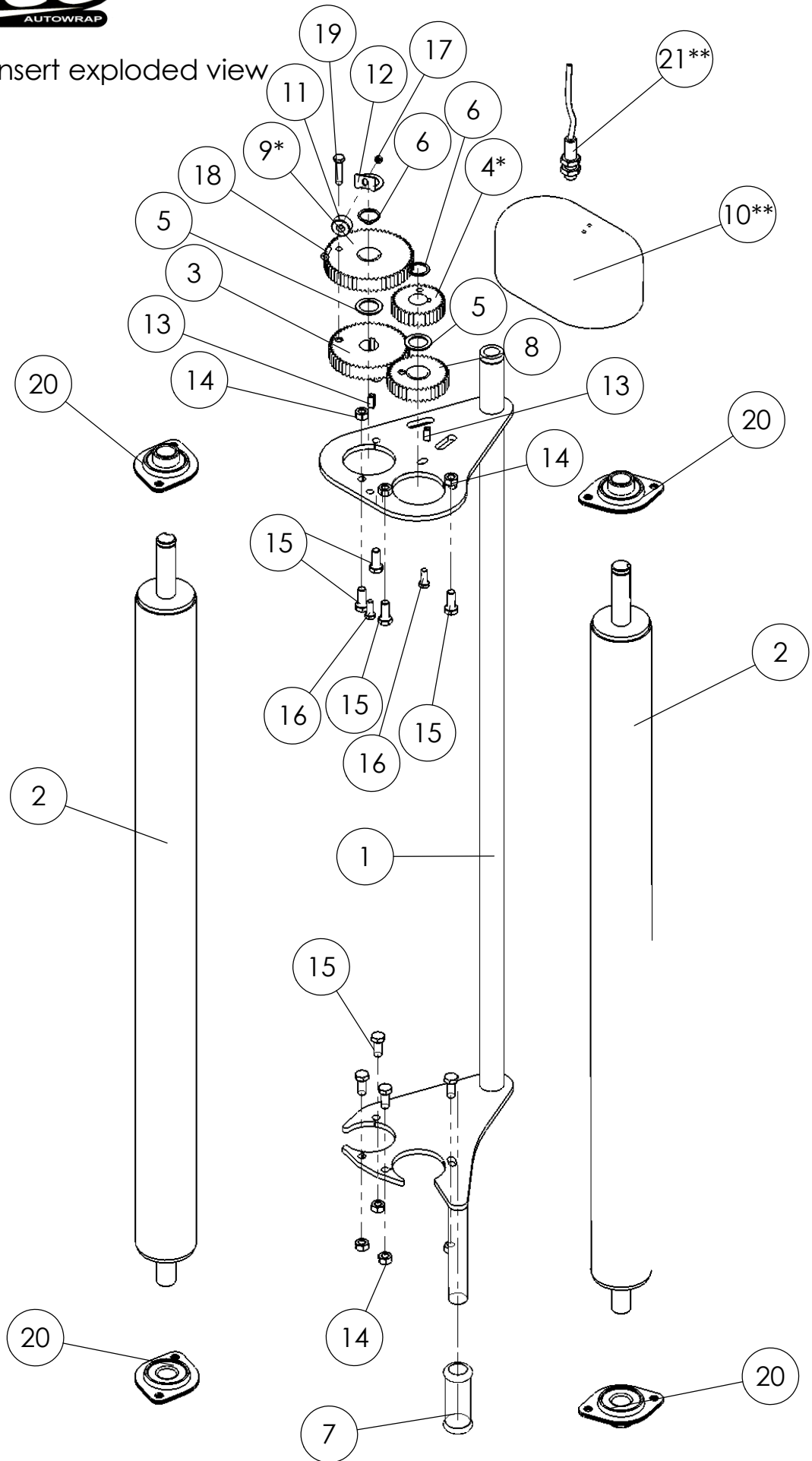




4-1-1 Tower Motor assembly.

ITEM NO.	PartNo	DESCRIPTION	QTY.
1	WD90-DMA	Dispenser mast frame	1
2	1205100	Dispenser Insert	1
3	1305010	Bottom latch	1
4	1305030	Pivot pin	1
5	1305033	Split pin	1
6	WD13-006	Top latch	1
7	1305027	Top Latch Spring	1
8	1305016	Bottom cone	1
9	1305022	Top shaft	1
10	1305019	Upper cone	1
11	Z003-1200	Latch release wire kit	1
12	WD60-FA	Film adaptor	1
13	1305034	Torsional Spring	1
14	WD617-FPDA	Film Pull down arm assembly	1
15	Z01-01-AW25	Hydraulic Ram (pull down)	1
16	Z30-20	M20 Locknut	2
17	Z23-12	M12 Locknut	1
18	1305015	Bearing	2
19	1305017	Cir-clip 25mm	3
20	1305018	Plastic cap 1 1/4"	1
21	1305020	25mm dia.flat washer	2
22	Z26-067B	60 Hex bolt	1
23	Z11-02-11	M10 flat washer	2
24	Z23-10	M10 Locknut	1
25	1305022	Spring	1
26	Z26-086S	M12 x 50 Hex Set	1
27		Beacon assy	1
28	Z20-40	Rubber Buffer	3
29	Z23-06	M8 Locknut	6

4.1 Dispenser Insert exploded view





4.2 Dispenser Insert part list.

ITEM NO.	PartNo	DESCRIPTION	WD13-DFA/QTY.
1	1205100	Dispenser Insert Frame	1
2	1305120	Long Inner Roller	2
3	1305101	60 t gear	1
4*	1305102	35 t gear	1
5	1305115	copper Washer	2
6	1305124	20mm external cir-clip	2
7	Z32-16	Plastic hand grip	1
8	1305106	41 tooth Enduro gear	1
9*	1305101	60 tooth stretch gear (70%)	1
10**	1305125	Dispenser Gearbox cover	1
11	D606C-SM1	Magnet	1
12	WD404-052	FB Magnet mount	1
13	1305123	6mm square key steel	2
14	Z23-08	M8 Locknut	8
15	Z26-039S	M8 x 20 Bolt	8
16	Z26-018S	M6 x 16mm bolt	2
17	Z23-04	M4 Locknut	1
18	Z13-125	M4 x 20 countersunk screw	1
19	Z26-0225	M6 x 30 bolt	1
20	Z06-17	Bearing	4
21**	1309202	Sensor	1

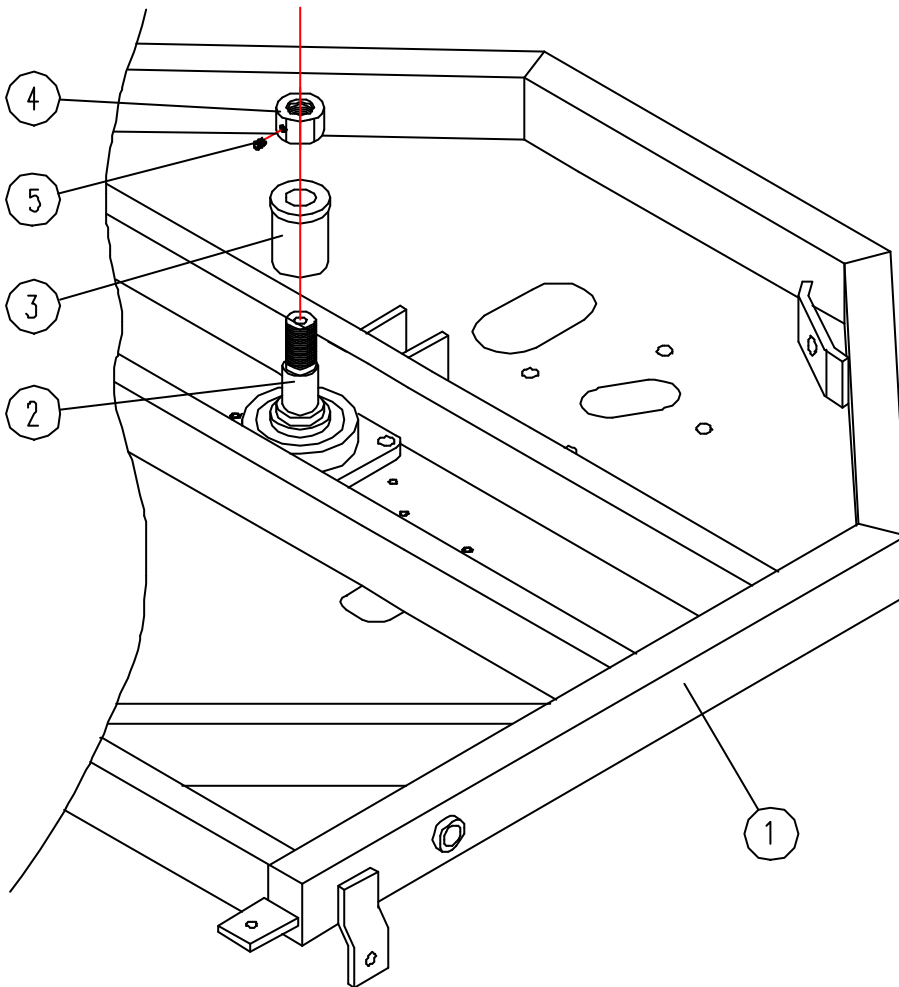
*	Optional 55% Stretch Gears
**	Optional Film Break Sensor



### 2.1.3 TABLE LOCKING ARRANGEMENT

ITEM No.	DESCRIPTION	QTY	PART No.
1.	Tipping Frame (underside view)	1	WD67-TF
2.	Turntable Centre Shaft	1	WD67-017
3.	Spindle Spacer	1	WD67-SS
4.	1 ¼ UNC Retaining Nut	1	WD64-054
5.	M8 x 6 Grub Screw	2	Z28-007

### 8.1.2

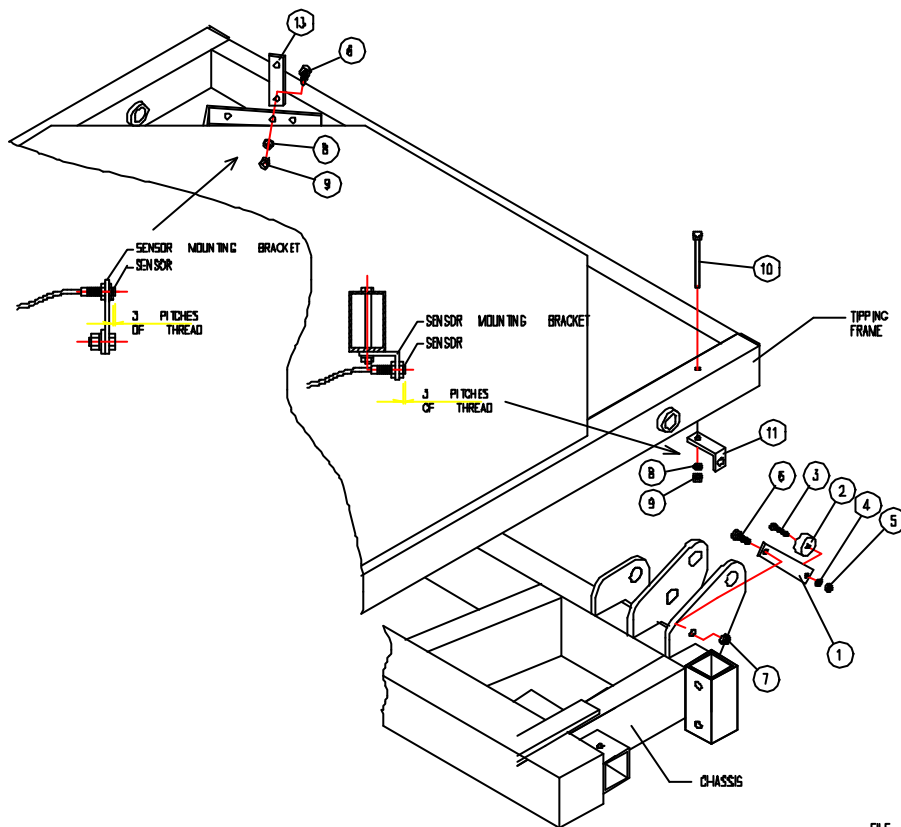


FILE NAME : WD 64 - PL41



### 6.1. SENSOR AND MAGNET MOUNTING BRACKETS

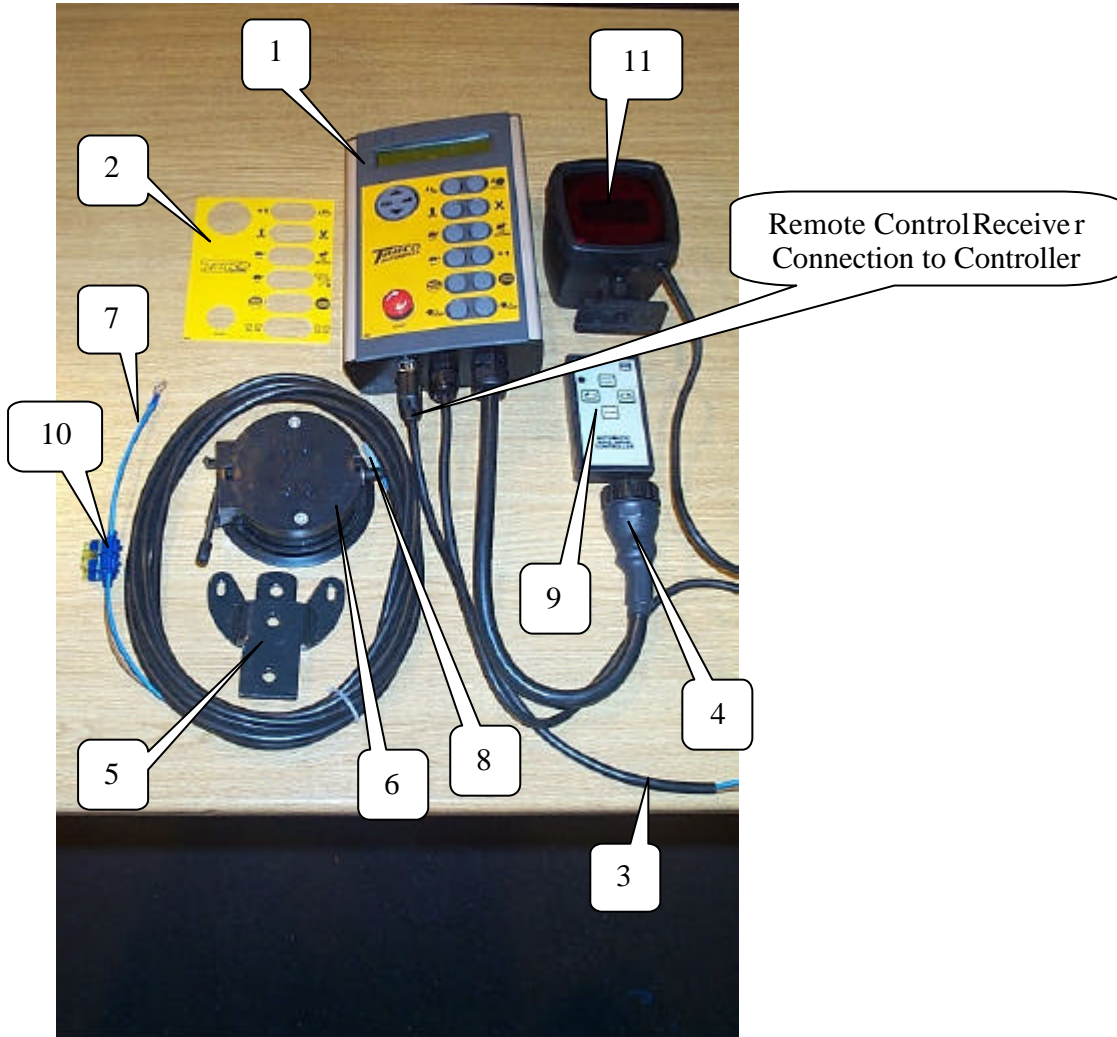
ITEM No.	DESCRIPTION	QTY	PART No.
1.	Magnet Mounting Bracket	1	WD605-165
2.	Magnet	1	ZD605-200
3.	M6 x 30 Hex Set	1	Z26-022S
4.	6mm Flat Washer	2	Z12-02-06
5.	M6 Locknut	2	Z23-06
6.	M8 x 25 Hex Set	2	Z26-40S
7.	M8 Locknut	1	Z23-08
8.	8mm Spring Washer	2	Z12-02-08
9.	M8 Hex Nut	2	Z18-08
10.	M8 x 100 Hex Set	1	Z26-057S
11.	Sensor Mounting Bracket	1	WD608-58
12.	Sensor Mounting Flat	1	WD605-164



FILE NAME VD80 - PL29



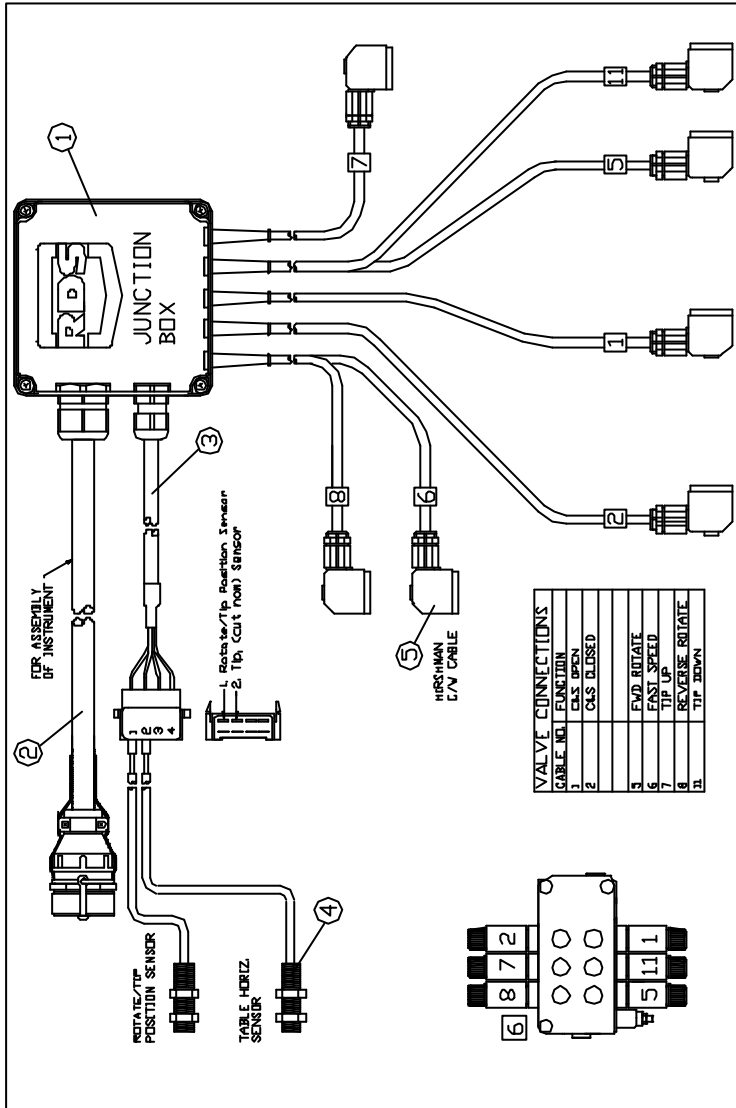
6.2. 280ARC Controller



ITEM	PART NO.	QUANTITY	DESCRIPTION
1	1209002	1	TW Control Unit
2	1209001		TW Faceplate RDS
3	1309009	1	2 pin connector Female + 2 spade pins
4	1309008	1	24 pin socket
5	1309009	1	Controller mounting bracket EH
6	1309012	1	Controller suction cup
7	1309007		Battery Cable (3m)
8	1309010		2 pin connector male + 2 female pins
9	1109002	1	Remote Control Sender Unit
10	ZD606-100	2	Fuse 20A
11	1109003	1	RDS Remote Control Receiver Unit

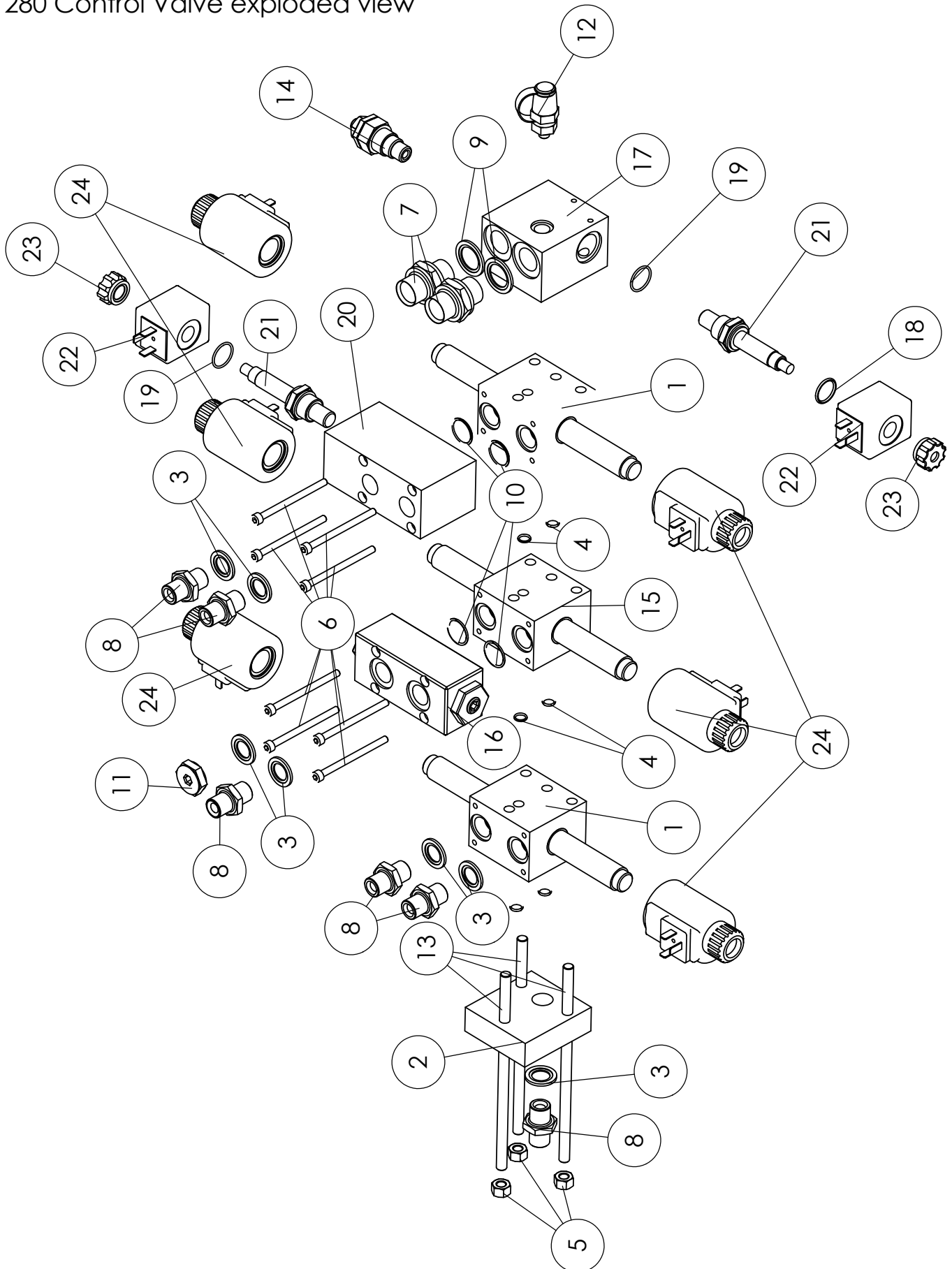


6.3 280ARC JUNCTION BOX



ITEM NO.	QTY.	PART NO.	DESCRIPTION
1	1	1009001	Junction Box Complete
2	1	1309003	Communication Cable
3	1	1009003	Sensor Cable
4	2	1009002	Sensor (3m)
5	7	1309005	Hirschmann, c/w Cable & gland

## 280 Control Valve exploded view



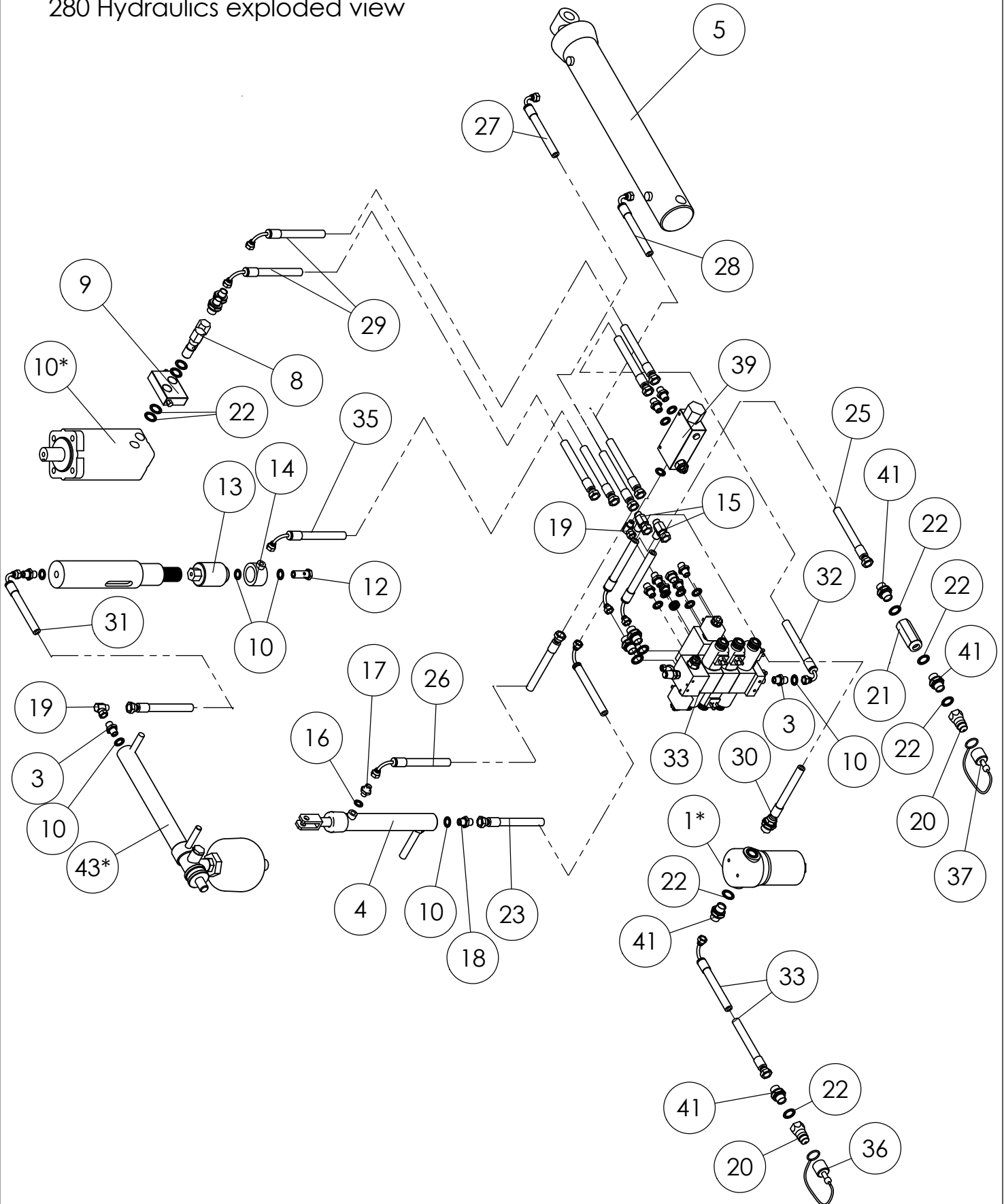




280 Control Valve part list

ITEM NO.	PartNo	DESCRIPTION	QTY.
1	1308702	2 Dir. Spool Valve (c/w Solenoid) (cc)	2
2	1308706	End Plate	1
3	Z01-04-02	3/8" BSP Dowty Washer	7
4	1308714	Entry & Control Block Seal Kit	6
5	34230400	M8 Nut	3
6	1308715	M5 x 60mm Socket Head Bolt	8
7	Z01-06-08-08	1/2" x 1/2" Adaptor	2
8	Z01-06-06-06	3/8" BSP Male/Male Adaptor	6
9	Z01-04-03	1/2" BSP Dowty Washer	2
10	1308714	Entry & Control Block Seal Kit	4
11	Z01-06-MB08	1/2" Male Blank	1
12	1308710	1/4" Test Point	1
13	1308713	Tie Rod	3
14	1308732	Pressure Relief Valve	1
15	1308704	2 Dir. Spool Valve (c/w Solenoid) (OC)	1
16	1308733	Single check valve	1
17	1308730	Entry Block complete	1
18	1308714	19mm O- ring	1
19	1308714	O-ring 20mm	2
20	1208301	2 Speed Valve Block complete	1
21	1508002	2 Speed Valve	2
22	1308202	Solenoid	2
23	1508002	nut for magnet (c/w 21)	2
24	34087521	Solenoid	6

## 280 Hydraulics exploded view





280 Hydraulics part list

ITEM NO.	PartNo	DESCRIPTION	QTY.
1*	1308070	Filter	1
2	Z01-06-MB08	1/2" Male Blank	1
3	Z01-06-06-06	3/8" x 3/8" Adaptor	8
4	Z01-01-AW25	Hydraulic Ram (pull down)	1
5	Z01-01-AR687	Tip Cylinder	1
10*	Z01-02-RF200	Hydraulic Motor	1
8	Z01-03-002B	1/2" BSP Bottom Banjo Bolt	2
9	Z01-03-004	Cross line Relief Valve	1
10	Z01-04-02	3/8" BSP Dowty Washer	16
11	Z01-06-MB08	1/2" Male Blank	1
12	Z01-20-062	Single Top Banjo Bolt	1
13	Z01-02-AWR	Rotary Coupling	1
14	Z01-19-062	3/8" Banjo Coupling	1
15	Z01-12-0022	Tee MMF 3/8"	2
16	Z01-04-01	1/4" BSP Dowty Washer	1
17	Z01-06-04-06	1/4" x 3/8" BSP Male/Male Adaptor	1
18	Z01-03-40	3/8" Adaptor with 0,006" Restrictor	1
19	Z01-14-015	3/8" Male/Female 90 Elbow	2
20	Z01-15-081	1/2" Male Q/R Coupling	2
21	Z01-03-017	1/2" Non Return Valve	1
22	Z01-04-03	1/2" BSP Dowty Washer	12
23	Z38-R2-60-S9	60" St./ 90 3/8" D/W Hose	1
24	Z12-R2-108-S9	108" St./ 90 1/2" D/W Hose	2
25	Z12-R2-108-S9	108" St./ 90 1/2" D/W Hose	1
26	Z38-R2-72-S9	72" St./ 90 3/8" D/W Hose	1
27	Z38-R2-48-S9	48" St./90 3/8" D/W Hose	1
28	Z38-R2-36-S9	36 St./ 90 3/8" D/W Hose	1
29	Z38-R2-96-S9	96" St./ 90 3/8" D/W Hose	1
30	Z12-R2-24-S9	24" St./90 1/2" D/W Hose	1
31	Z38-R2-84-S9	84" St./ 90 3/8" D/W Hose	1
32	Z38-R2-12-S9	12" S. /90 3/8" D/W Hose	1
33	1108000	280 Control Valve	1
35	Z38-R2-84-S9	84" St./ 90 3/8" D/W Hose	1
36	Z01-15-0815	1/2" Plastic cap red	1
37	Z01-15-0881	1/2" Plastic cap blue	1
43*	Z01-01-AWH	Hydraulic ram assy. C&S	1
39	1208250	Flow Control Valve complete	1
40	Z01-06-06-08	1/2" x 3/8" Adaptor	2
41	Z01-06-08-08	1/2" x 1/2" Adaptor	7

1*	1308071	Filter Element	1
10*	Z01-RF200	Seal kit for motor	1
43*	Z01-01-AWH9	Cylinder C&S only	1